



Pressure Control Equipment

Phuel Hydraulic Tool Trap



The Tool Trap, normally situated above the BOP and below the lubricator stack, prevents the accidental loss of wireline tools strings downhole by use of a spring-loaded flapper that blocks the bore.

The flapper is designed to allow free operation of – and access to – the wire or cable but stops the passage of the tools from above.

When running into the well, the flapper is hydraulically held open until the tools have passed and then returned to the closed position during the wireline operation.

When pulling the string, the flapper automatically opens as the tool string strikes the closed flapper and the movement of the indicating lever gives a positive indication of the string position.

When the tool string is pulled fully through the Tool Trap, the flapper will automatically close to cover the well bore and prevent the string being dropped downhole.

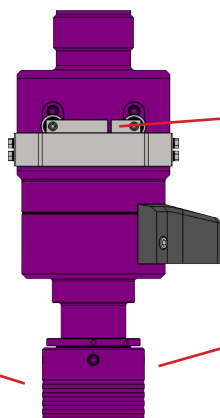


Slickline Stack

The flapper can be manually opened without the use of hydraulics if preferred.

Collar safe lock, Hi-Grip collars and saver subs are supplied as standard affording **safer, quicker and easier** handling

The Phuel Hi Grip collar ensures that the operator always has the grip when he needs it, unlike standard knurled collars which don't provide any grip when the collar becomes greasy.



The handle can be used to manually open the flapper without hydraulics and doubles as an indicating lever when used hydraulically

The Safe Lok System automatically supports the weight of the collar while in the open position, removing unnecessary handling and reducing the risk of personal injury

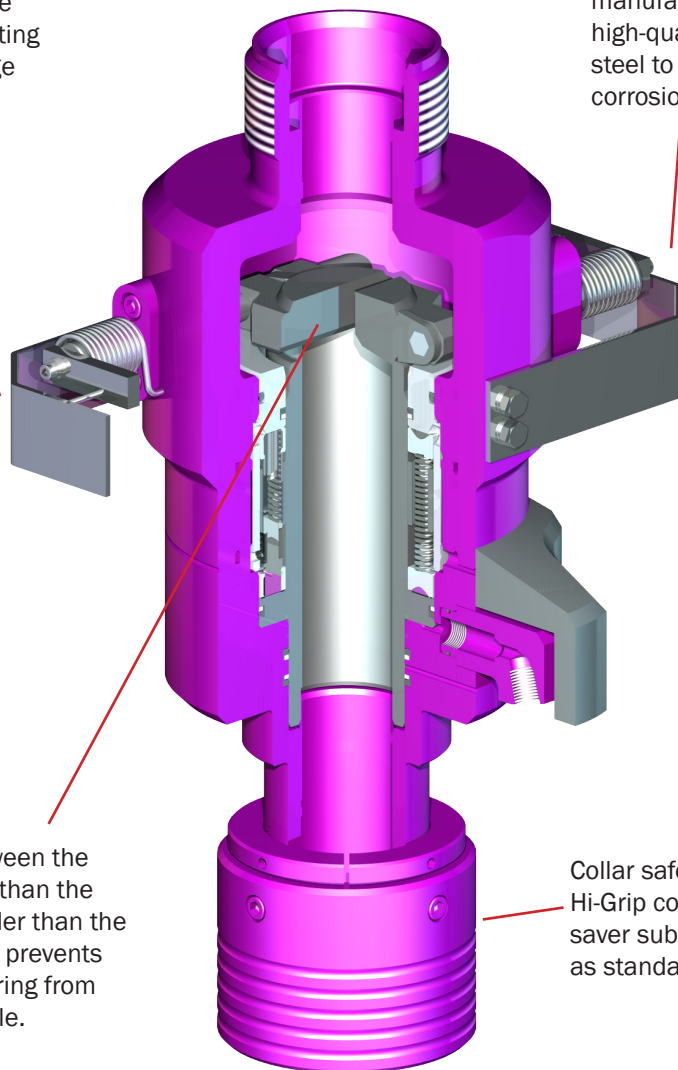


Pressure Control Equipment

Phuel Hydraulic Tool Trap

A galvanised crash frame protects the piston and indicating lever from damage

All external components on the Tool Trap are manufactured from high-quality stainless steel to eliminate corrosion.

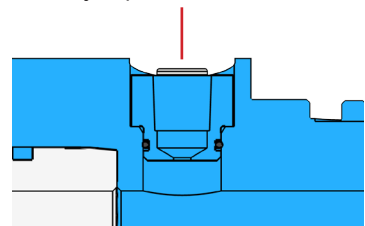


The opening between the flappers is larger than the wireline but smaller than the tool string and so prevents the 'pulled off' string from dropping downhole.

Collar safe lock, Hi-Grip collars and saver subs are supplied as standard

Saver Sub

Phuel Removable Saver Sub allows a worn thread to be easily replaced



The Phuel Saver Sub provides the pressure test connection, and can be easily removed and replaced without the need to change the bottom sub. This ensures that the tool stays in service longer.

Phuel Hi Grip Collars as standard



| Product Options | Key Ordering Information |
|--|--|
| <ul style="list-style-type: none"> End connections and bore diameter as specified Working Pressures up to 15,000 psi | <p>Things to consider when requesting a quotation:</p> <ul style="list-style-type: none"> End connections and side connections Working Pressure Working Temperature |