



# Pressure Control Equipment

## Phuel Stuffing Box



Phuel has delivered the next generation of stuffing box featuring significant improvements in operation and performance

The **three piece design** allows for easier handling.

The lightweight wheel assembly and the seal housing can be removed quickly from the union for easier lubricator string rigging and handling, leaving the union still attached to the lubricator.

There is full bore clearance through the housing for the tool string to be inserted or removed, even when using the roller stem.

This reduces handling weight during rigging and lifting operations.

The sheave wheel is mounted onto a lightweight bracket that completely encompasses the wheel, preventing accidental finger traps.

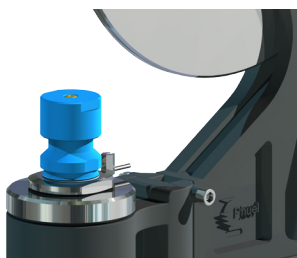
Spring-loaded locking pins keep the wire on the wheel while reducing the effort needed to load and

unload the wire. A lifting point is also provided to allow the assembly to be raised vertically off the test stump with ease.

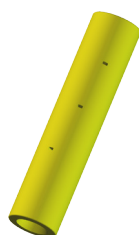
The packing no longer comprises individual units that are time consuming to remove and replace. Instead Phuel provides a helicut packing stick that is hydraulically pumped out with piston pressure when the Top Cap is removed. Reassembly is as easy – just attach the Packing Stick at the top of the piston and release the hydraulic pressure.

The time required to redress is dramatically reduced and, with the Phuel Packing Stick it can be done with the wire in place.

The most distinctive stuffing box on the market is also the **safest, quickest and easiest to use**, affording improved handling & minimising down time



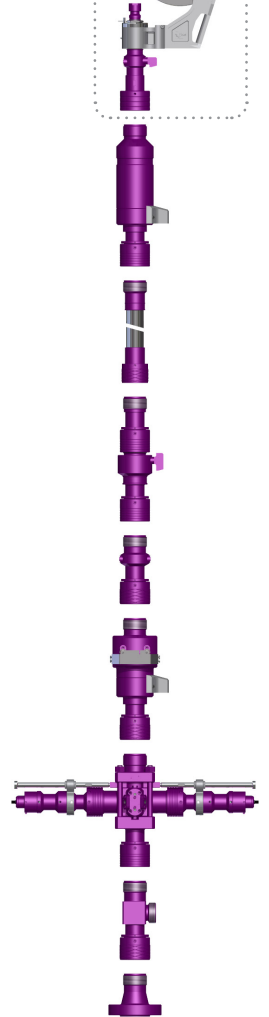
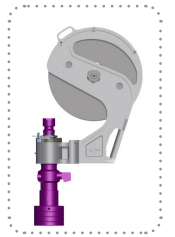
Top Cap - Packing in place



Phuel Packing Stick

The Phuel packing stick can be simply pumped out with piston pressure once the packing nut has been removed.

Bleed off and the packing stick will automatically return.



Slickline Stack





# Pressure Control Equipment

## Phuel Stuffing Box

### Three Piece Design

Innovative helicut packing stick replaces individual packing units, ensuring consistency by eliminating variation in set-up

Replaceable brass wire guide centralises without damaging the wire

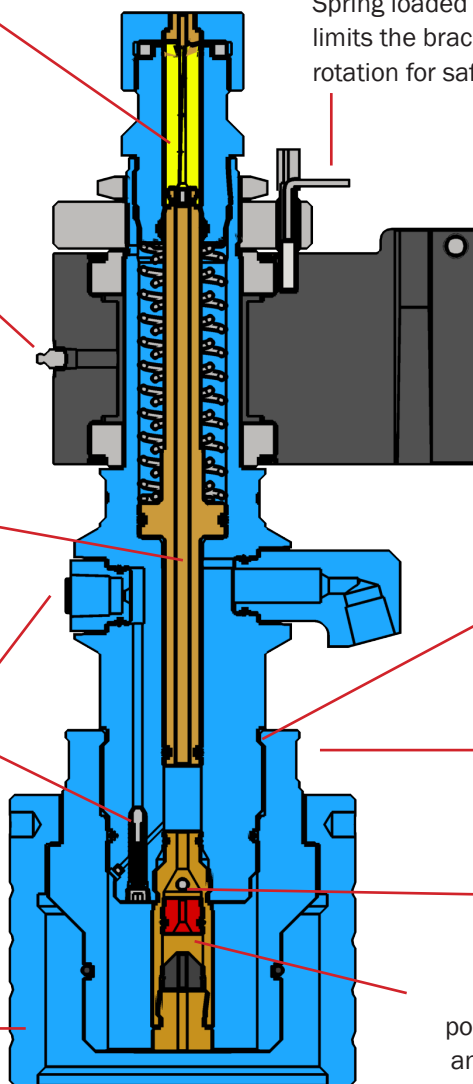
Spring loaded plunger limits the bracket rotation for safer lifting

Grease nipple allows for preventative maintenance of the tapered roller bearings

Hydraulic piston provides the force for the packing and is not disassembled during the packing redress, so allowing longer seal life and a faster change

Glycol injection valve included as standard allows direct access to the wire to lubricate when using in gas wells

Connections are available to suit customer requirements

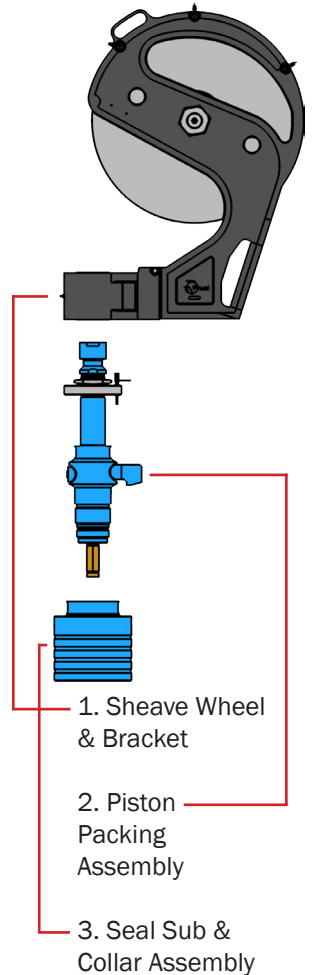


Seal housing can be separated from the collar section to reduce the handling weight while rigging up

Union

Ball check valve automatically seals if the wire breaks

BOP flows to the sealing position if the packing fails and will seal on static wire



Product Options	Key Ordering Information
<ul style="list-style-type: none"> <li>Sheave wheel sizes 18" &amp; 20"</li> <li>Wire size</li> <li>Hinged hub or standard hub</li> </ul>	<p>Things to consider when requesting a quotation:</p> <ul style="list-style-type: none"> <li>Sheave size &amp; wire size</li> <li>Connection type / size</li> <li>Maximum Working Pressure</li> <li>H2S or Standard Service</li> </ul>